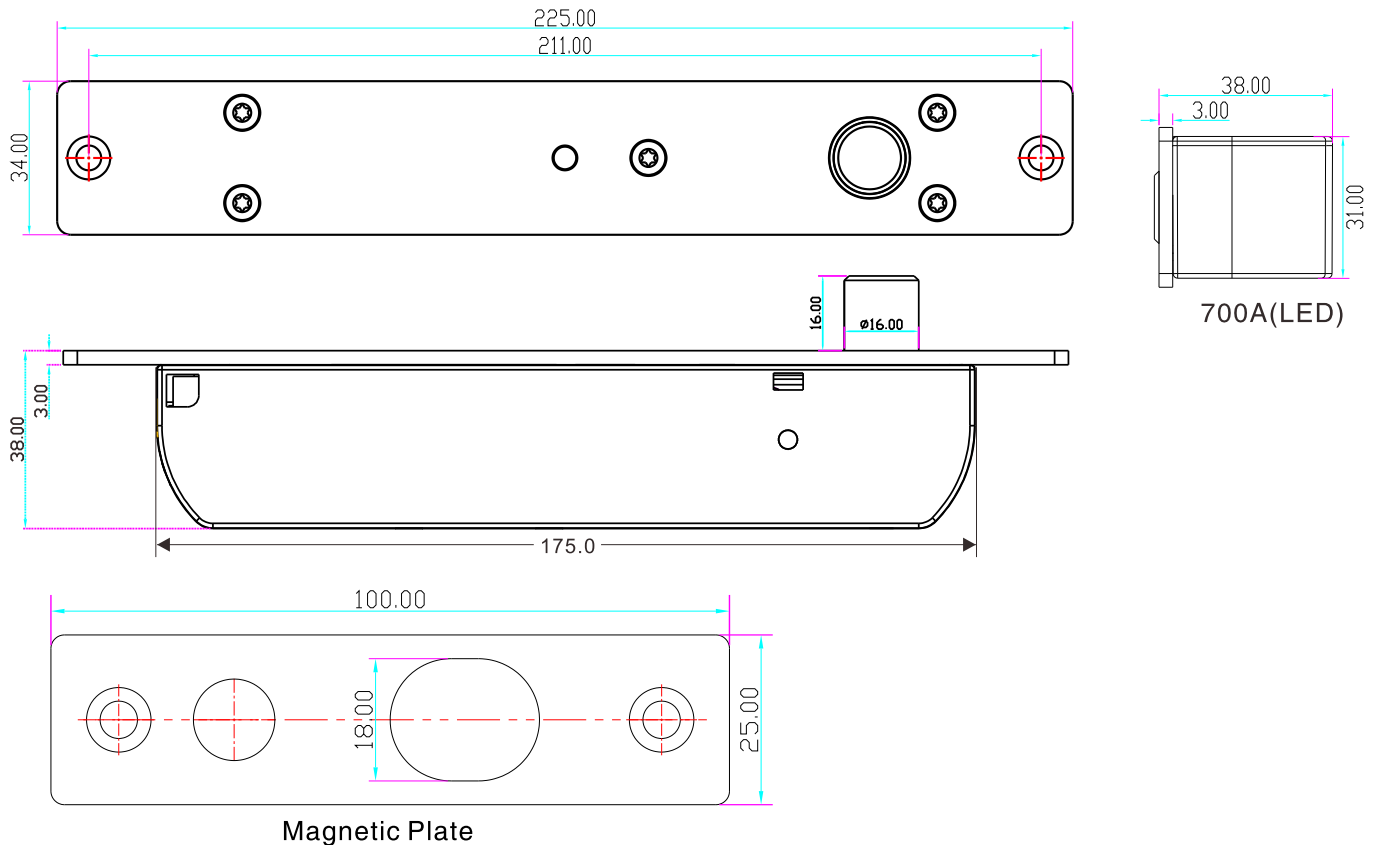


Parameters

| | |
|--------------------|---|
| Lock Body | 225Lx34Wx38H(mm) |
| Magnetic Plate | 100Lx25Wx3H(mm) |
| Bolt | 16(prolongation)*16(diameter)(mm) |
| Signal Output | Lock signal: NO/NC/COM Door signal: NO/COM |
| Time Delay | 0/3/6/9 sec |
| Voltage | 12 VDC \pm 10% |
| Current | Start 1200mA, Standby 200mA |
| Feature | Fail Safe 700A(LED) |
| LED | Light on indicates locked, light off indicates unlocked |
| Detection Distance | Within 8mm |
| Suitable for | Wooden door, meta door, fireproof door, glass door |
| Material | 304 stainless steel, wire draw finishing |
| Weight | 1.0 kg |

Dimensions

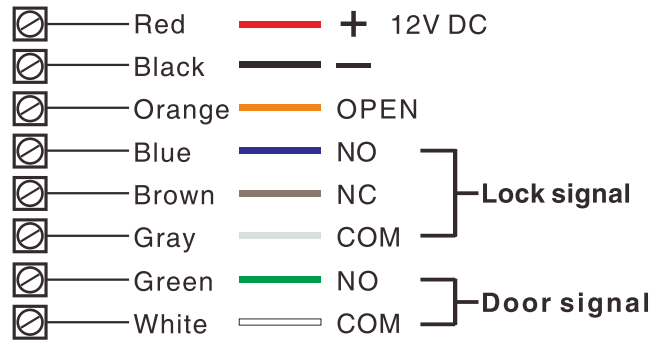


Time Delay

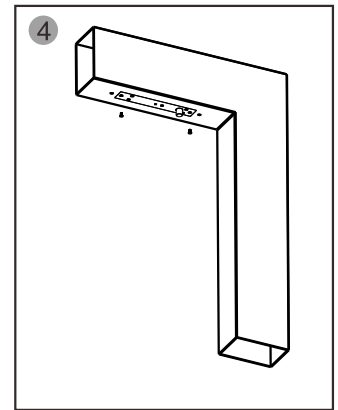
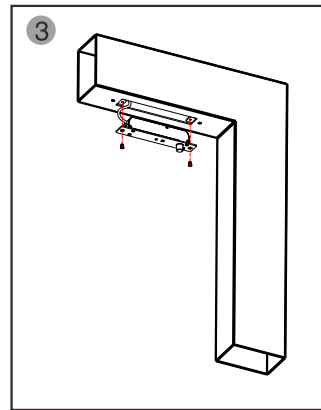
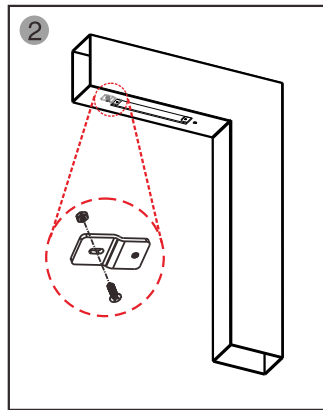
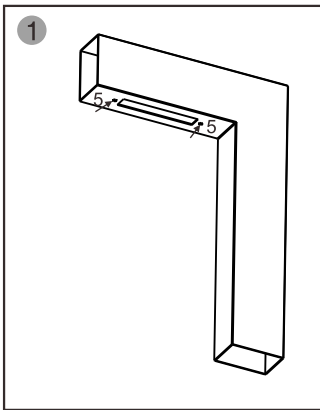
Adjust the delay time for locking automatically 0/3/6/9 secs.



Wiring Diagram



Installation Steps



Installation Schematic

