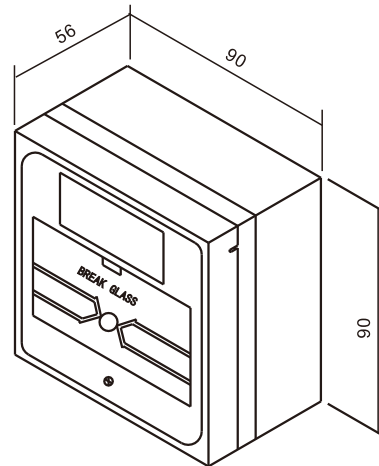
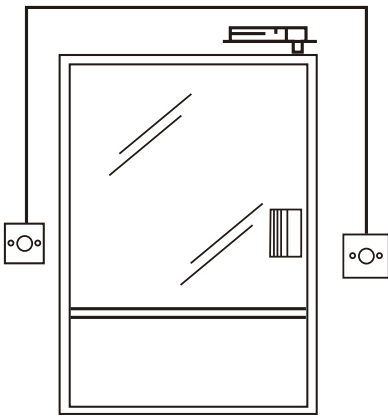


Specification

- Dimensions: 90Lx90Wx56H(mm)
- Current Rating: 3A@36VDC Max
- Suitable for Door: Exit Door, Emergence Door
- Operating temp: 10~+55°C(14-131F)
- Material Selection: Fireproof Material,
- Weight: 0.2kg
- Standard Structure: Fireproof Material,
- Output Contact: NO/NC/COM
- Aptional Accessories: Glass, Cover
- Operating Humidity: 0-95% (relative humidity)
- Color : D(White)

Wiring Diagram



Installation

