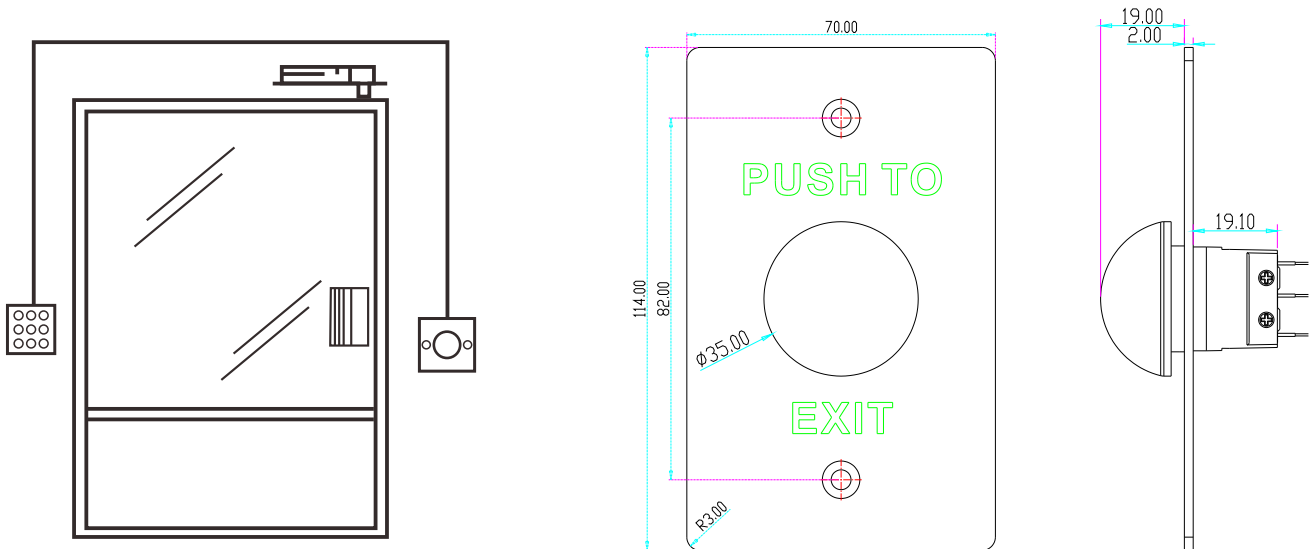


Specification

- Size: 114Lx70Wx40.1H(mm)
- Standard Structure: Stainless steel panel with metal button
- Current Rating: 3A@36VDC Max
- Output Contact: NO/NC/COM
- Mechanical Life: 500000 tested
- Operating temp: 10~+55°C(14-131F)
- Operating Humidity: 0-95%(relative humidity)
- Panel Material: Stainless steel panel
- Weight: 0.2kg

Wiring Diagram



Installation

