

2/4/5 Megapixel H.265 Mini Dome Network Camera



MS-C2981-PB/MS-C4481-PB/
MS-C5381-PB

DATASHEET

KEY FEATURES

- ▶ **Smart Stream** (Bandwidth, storage and bit rate save with Smart Stream ON, eg. H.265+ save 70%~80% bandwidth of H.264.)
- ▶ **Advanced Functions** (Boasting to support various advanced functions such as HLC, Defog, ROI.)
- ▶ **Built-in Microphone** (Supporting audio function to hear what is happening in front of the camera.)
- ▶ **SIP** (Session Initiation Protocol. Providing audio/alarm/intercom and video streaming for mobile phones and video phones.)
- ▶ **3-Axis Mechanical Design** (Featuring 3-axis mechanical design for fast and easy adjustment of the camera's viewing angle.)
- ▶ **128G** (Supporting ultra-large external microSD/SDHC/SDXC card storage up to 128G.)

Video Content Analysis

Milesight VCA with 8 detection modes provides advanced, accurate smart video analysis for Milesight network cameras, enabling the comprehensive surveillance function and quicker response to different monitoring scenes.



0.002Lux Ultra Low-light

The starlight camera is able to deliver high detailed color images even in low light environment reaching 0.002Lux(Color) or 0Lux(B/W), and near infrared light environments without any supplementary lighting.

140dB Super WDR

Milesight's sensor-based WDR technology allows the camera to record greater scene details with true color reproduction even under the extreme back light and high contrast conditions. The ratio that the brightest light signal values divided by the darkest light signal values is up to 140dB.



Easy Installation & Adjustment

With a built-in RJ45 port, PoE functionality and 3-axis mechanical design, the installation steps of Milesight IR Mini Dome Camera are as easy as ABC.

H.265 Mini Dome Network Camera

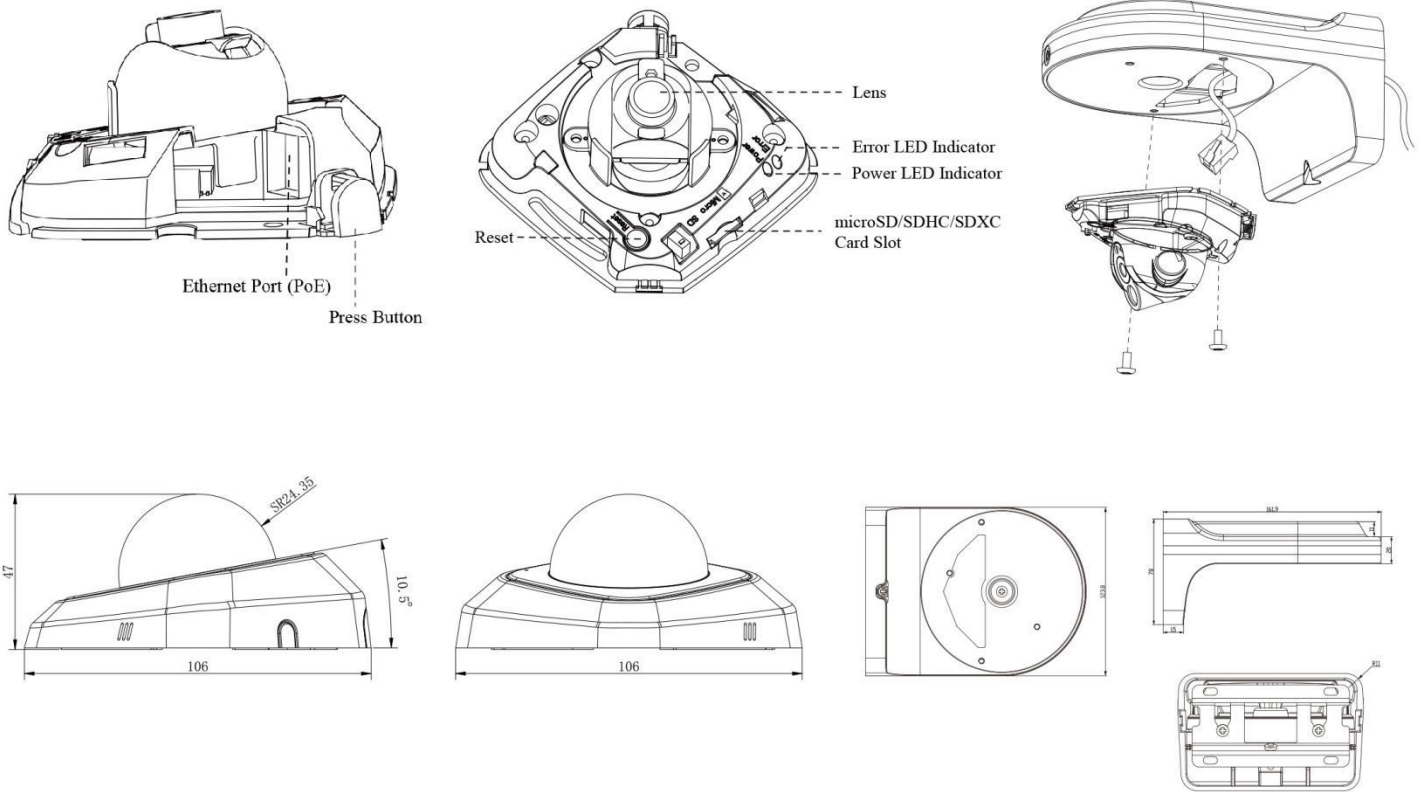


	Model	MS-C2981-PB (2MP)	MS-C4481-PB (4MP)	MS-C5381-PB (5MP)	
Camera	Image Sensor	1/2.8" Progressive Scan CMOS	1/3" Progressive Scan CMOS	1/2.9" Progressive Scan CMOS	
	Min. Illumination	Color: 0.002Lux@F1.2 B/W: 0.001Lux@F1.2	Color: 0.008Lux@F1.2 B/W: 0.004Lux@F1.2	Color: 0.006Lux@F1.2 B/W: 0.003Lux@F1.2	
	WDR	Super WDR up to 140dB	Super WDR up to 120dB		
	Lens	3.6mm/2.8mm/6mm @F1.6			
	Mount	M12			
	Field of View	H89°/D104°/V49°(3.6mm) H122°/D141°/V68°(2.8mm) H56°/D65°/V32°(6mm)	H82°/D97°/V47°(3.6mm) H113°/D132°/V66°(2.8mm) H53°/D61°/V31°(6mm)	H67°/D84°/V50°(3.6mm) H92°/D115°/V69°(2.8mm) H44°/D54°/V34°(6mm)	
	Shutter Time	1/100000s~1/5s			
Video	Max. Image Resolution	1920×1080	2592×1520	2560×1920	
	Primary Stream	30fps@(1920×1080, 1280×960, 1280×720, 704×576)	20fps@(2592×1520), 30fps@(2304×1296, 1920×1080, 1280×960, 1280×720, 704×576)	20fps@(2560×1920, 2592×1520), 30fps@(2304×1296, 1920×1080, 1280×960, 1280×720, 704×576)	
	Secondary Stream	30fps@(704×576, 640×480, 640×360, 352×288, 320×240, 320×192, 320×176)			
	Tertiary Stream	30fps@(1920×1080, 1280×720, 704×576, 640×480, 640×360, 320×240, 320×192, 320×176)			
	Video Compression	H.265+/H.265(HEVC)/H.264+/H.264/MJPEG			
	Video Bit Rate	16Kbps~16Mbps(CBR/VBR Adjustable)			
	Image Setting	Brightness/Contrast/Saturation/Sharpness			
Network	Ethernet	1*RJ45 10M/100M Ethernet Port			
	Network Storage	NAS(Support NFS, SMB/CIFS)			
	Protocol	IPv4/IPv6, TCP, UDP, RTP, RTSP, RTCP, HTTP, HTTPS, DNS, DDNS, DHCP, FTP, NTP, SMTP, SNMP, UPnP, SIP, PPPoE, VLAN, 802.1x, QoS			
Audio	Audio Streaming	Built-in Microphone			
	Audio Compression	G.711/AAC			
System	Storage	Support microSD/SDHC/SDXC Card Local Storage, up to 128G			
	Advanced Function	Motion Detection, Privacy Masking, Backlight Compensation, HLC, 3D-DNR, ROI, Anti-fog			
	SIP/VoIP Support	Yes, Voice & Video-over-IP			
	Event Trigger	Motion Detection, Network Disconnection, Audio Alarm, etc.			
	Event Action	FTP Upload/ SMTP Upload/ SD Card Record/ SIP Phone			
	Video Analysis (Optional)	Region Entrance, Region Exiting, Advanced Motion Detection, Tamper Detection, Line Crossing, Loitering, Human Detection, People Counting			
	System Compatibility	ONVIF Profile S & G			
General	Working Temperature	-40℃~60℃			
	Working Humidity	0~90%(Non-condensing)			
	Power Supply	PoE			
	Power Consumption	2W MAX			
	Weight	125g			
	Dimensions	106mmX106mmX47mm			
	Warranty	3/5 Years			

H.265 Mini Dome Network Camera



Structure Diagrams



Units: mm

Accessories Support

A01 Pole Mount

Weight: 720g
Dimensions: 170*51.5*152.6mm



A02 Internal Corner Bracket

Weight: 540g
Dimensions: 170*23.2*205.3mm



A03 External Corner Bracket

Weight: 900g
Dimensions: 170*152.6*76.3mm



A71 Wall Mount

Weight: 531g
Dimensions: 162*124*78 mm



Naming Convention



Milesight Technology Co.,Ltd. | www.milesight.com

Contact Us: sales@milesight.com support@milesight.com



Add: 7509 N.W. 36th Street, Miami,
Florida 33166, USA
Tel: +1-800-561-0485

Add: 9F/901, Star Valley B/D Digital-ro
9gil 99, Geumcheon-gu, Seoul, Korea
Tel: +82-2-839-3335

Add: No.23 Wanghai Road,
2nd Software Park, Xiamen, China
Tel: +86-592-5922772

